

Alternative: Electronic 'Dead-Bolt' and 'Swivel-Bolt' Bramah Safe Lock Options

Product Overview (Dead-Bolt)**Alternative: Electronic Safe Lock Option**

The (Dead-Bolt) electronic safe lock can also be supplied with the purchase of an **(ECL)**, **(L02)**, **(L22)** and **(BIO)** electronic model. The high quality dead-bolt operated stainless-steel safe lock provides a keyless and convenient entry solution based on the standard (3) wheel combination lock footprint.

Please Note –

- The (Dead-Bolt) electronic safe Lock also comes complete with a 'Knob Assembly' as pictured.
- A key-override option is not available.

**1000-LK3 (Dead-Bolt) Safe Lock****Product Benefits**

- Is constructed for strength, and is a quality all stainless-steel safe lock.
- Is retrofit to the standard (3) wheel combination lock footprint.
- The lock-case comes complete with (2) drilled and tapped 'Re-Locker' holes.

This unit is Australian Made

Product Overview (Swivel-Bolt)**Alternative: Electronic Bramah Safe Lock Option**

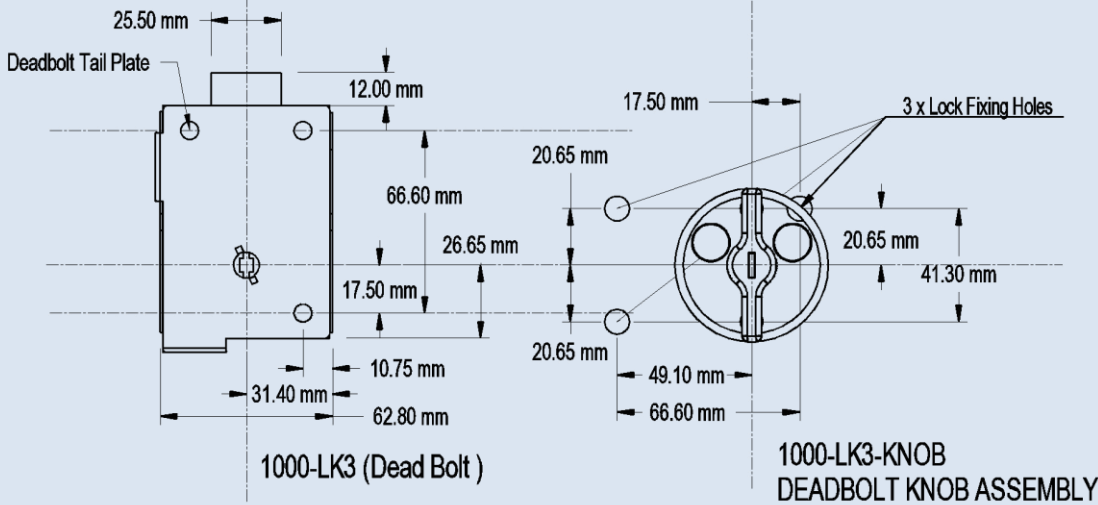
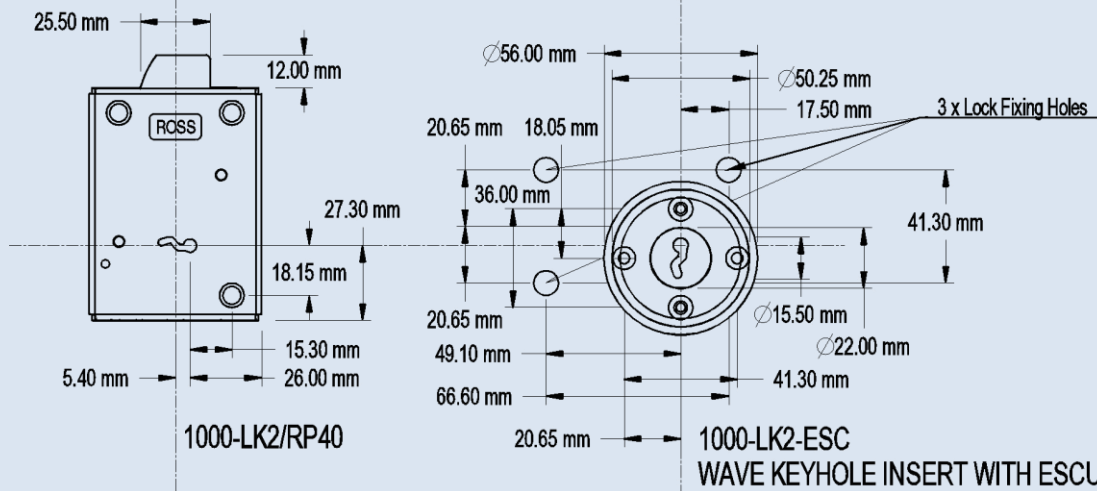
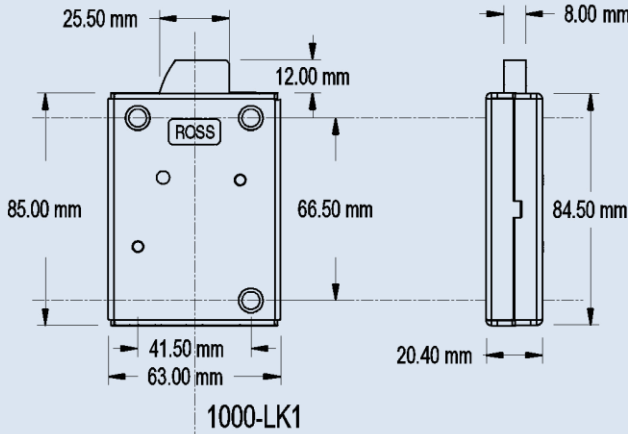
ROSS has partnered with BRAMAH to provide this (Swivel-Bolt) electronic safe lock **(ECL)** option. This option is a further key-override variant to the ROSS restricted profile key solution.

**1000-LK4 (Bramah) Safe Lock****Product Benefits**

- The Bramah override element can be supplied KD, KA or MK lock sets.
- The stainless-steel keys are available in lengths from 37mm to 230mm long.
- The unique key dimensions allow retrofit without drilling to enlarge or modify existing spindle holes.
- The (7) slide highly attack-resistant mechanism is supplied by Bramah of London, the world's oldest patent lock manufacturer and offers in excess of half a million key variations.
- The lock-case comes complete with (2) drilled and tapped 'Re-Locker' holes.

Electronic 'Bolt-On' Handing Option

Bolt-On Options



PRODUCT CODING STRUCTURE