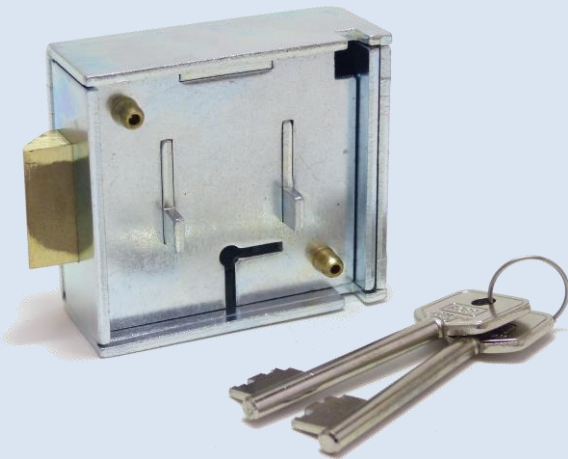


Alternatives: 'Latch' and 'Bolt-On' Safe Lock Options

Product Overview (Latch-Bolt)

Alternative : Latch-Bolt option

The **600-Series Safe Lock** (Latch-Bolt) version provides a convenient 'slam-shut' locking solution that retains the benefits of the (Dead-Bolt) version. This is a high security option, typically used as a cash drawer solution and where an emergency lock-up is a requirement.

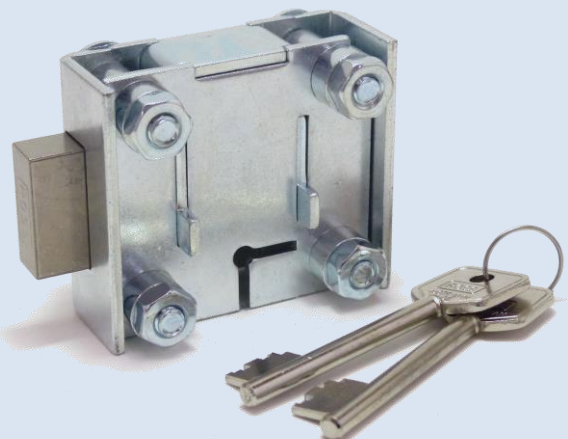


600-ALL/R30 Latch Bolt Safe Lock

Product Overview (Bolt-On)

Alternative : Lock fixing method

The **600-Series Safe Lock** (Bolt-On) version provides for an alternative fixing method. The standard lock-case and lock-cap are processed with (4) corner holes to accommodate (4) spacing ferrules. The lock is supplied with fixing screws, nuts and washers.



600-BL/R30 Safe Lock

Product Overview (Restricted Profile)

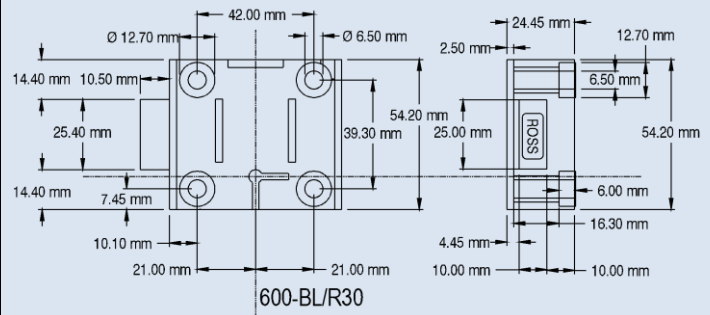
Alternative : Dead-Bolt 'Wave' Key option

The **600-Series Safe Lock** (Wave-Key) version introduces a higher security (Dead-Bolt) option through the use of the ROSS restricted profile 'Wave' key. Being a restricted key, keyblanks are not available for sale and each cut key is registered.



600-RPU/RP40 Safe Lock

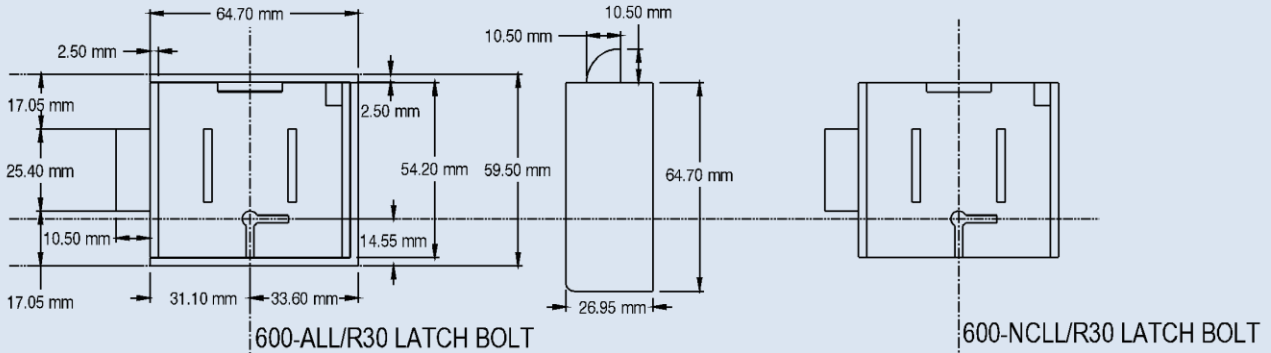
(Bolt-On) Option



DIMENSIONAL DRAWING

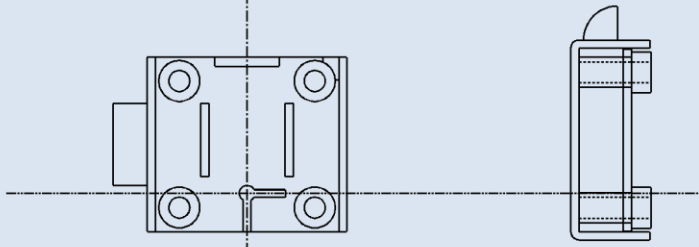
Alternatives: 'Latch' and 'Bolt-On' Handing Options

Alternative Keyhole Options

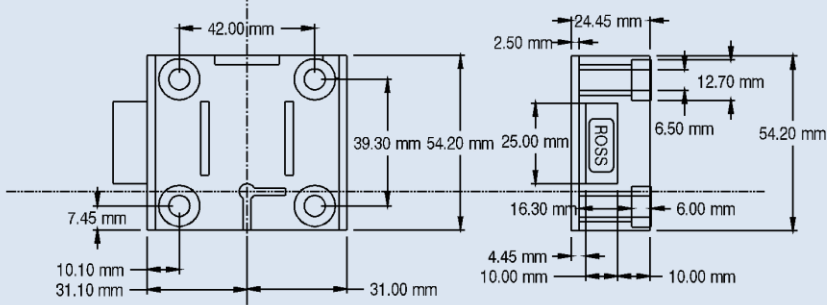


600-ALL/R30 LATCH BOLT

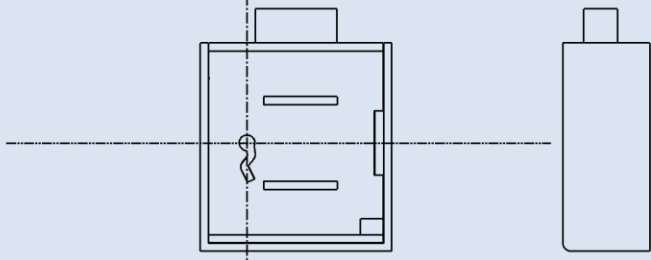
600-NCLL/R30 LATCH BOLT



600-BLL/R30 LATCH BOLT (BOLT_ON)



600-BL/R30 (BOLT-ON)



600-RPU/RP40

600-AL_ identifies this 'Latch' lock version comes complete with 'WELD-ON' cover.

600-B_ identifies the 'BOLT-ON' lock version.

600-ALL identifies this 'Latch' lock handing as being LH/UP bolt-throw and comes complete with 'WELD-ON' cover.

600-BL identifies this 'BOLT-ON' lock handing as being LH/UP bolt-throw.

PRODUCT CODING STRUCTURE