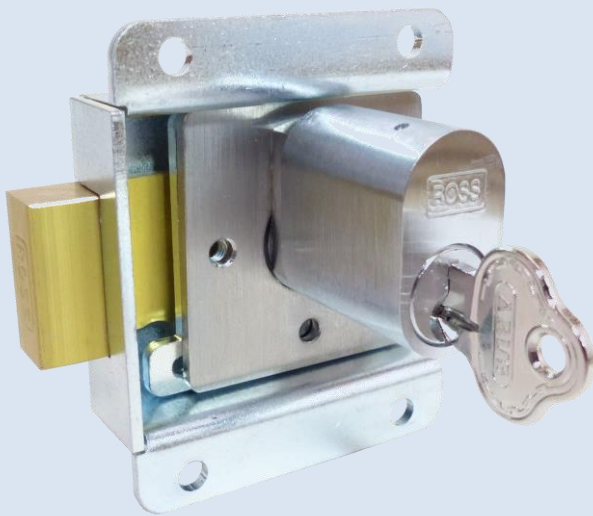


**In-Line Restricted 'Bolt-On' Cupboard Lock Options**

**Product Overview (Dead-Bolt)**

**In-Line Restricted option with 570 Cylinder**

The **870-Series Cupboard Lock** (Dead-Bolt) version is an extremely practical high security lock that is supplied with an in-line restricted 570 cylinder. Key duplication can be controlled, and the utilization of existing home, office or factory keys can be used in the one application. Steel construction and the thick bolt-head resists damage from jemmy attack and door slamming in the locked position.

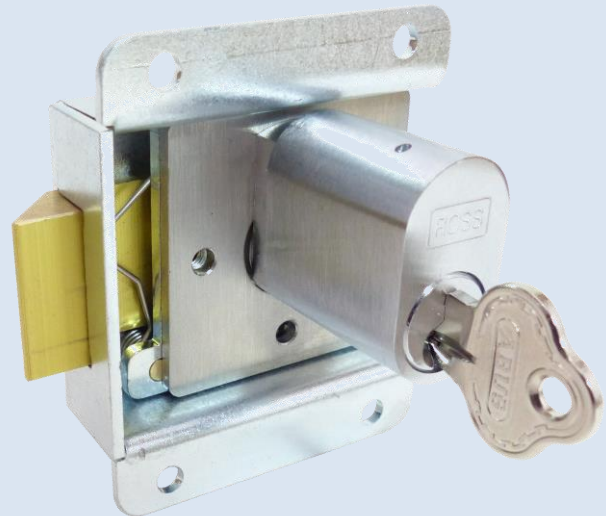


**870-C Cupboard Lock (Dead-Bolt) option**

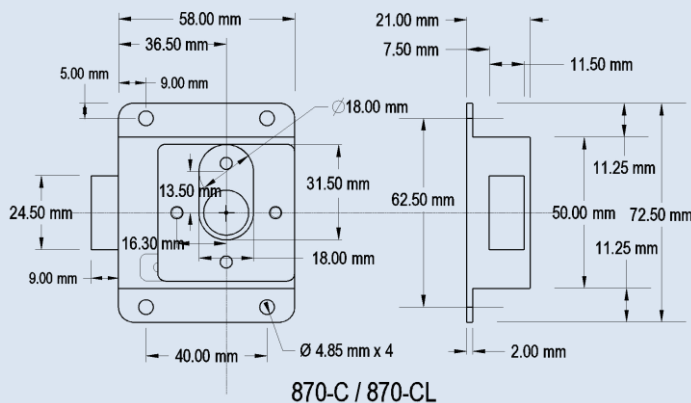
**Product Overview (Latch-Bolt)**

**In-Line Restricted option with 570 Cylinder**

The **870-Series Cupboard Lock** (Latch-Bolt) version provides a convenient 'slam-shut' locking solution that retains the benefits of the (Dead-Bolt) version. This is a high security option, typically used as a cash drawer solution and where an emergency lock-up is a requirement. Again, steel construction and the thick bolt-head resists damage from jemmy attack and door slamming in the locked position.



**870-CL Cupboard Lock (Latch-Bolt) option**



**Dimensional Drawing**

**Additional Lock Options –**

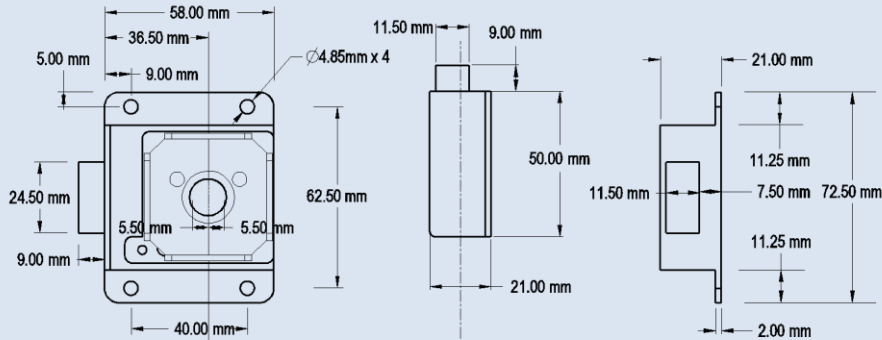
- Both the dead-bolt and latch-bolt versions can be supplied with a keystop on request.
- Both the dead-bolt and latch-bolt versions can be supplied without the 570 cylinder option on request.

**Component Purchase options –**

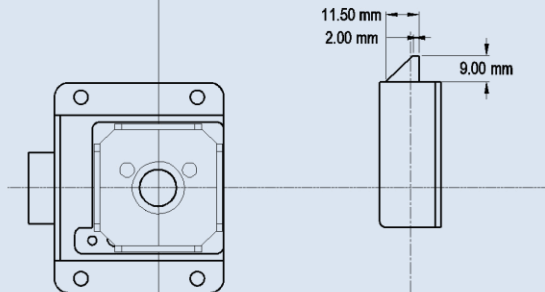
- (2) keys are always included in the price.
- Additional keys or keying/masterkeying options are not available.
- A (standard) Oval Assembly only can be supplied.
- A (standard) Cam Assembly only can be supplied.

**'Bolt-On' Handing Option**

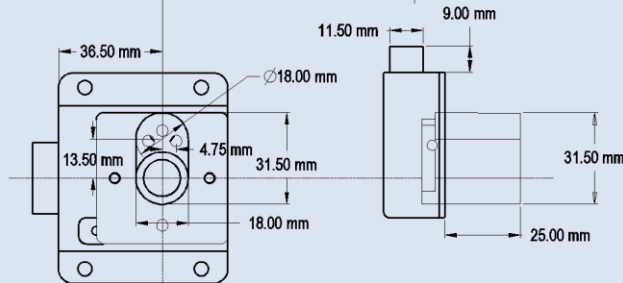
**Bolt-On Options**



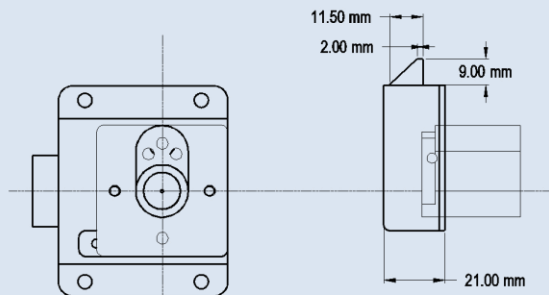
**800-C**



**800-CL LATCH BOLT**



**870-C**



**870-CL LATCH BOLT**

**800-C** identifies this lock comes without 570 Cylinder.

**800-CL** identifies this lock comes without 570 Cylinder and includes Latching bolt.

**870-C** identifies this lock comes with 570 Cylinder.

**870-CL** identifies this lock comes with 570 Cylinder and includes Latching bolt.

**PRODUCT CODING STRUCTURE**